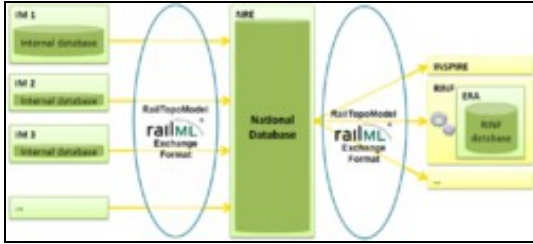


RTM quick start

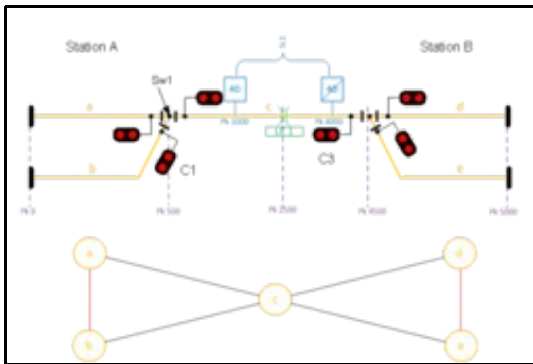
RailTopoModel® For Your Business



Ideal national situation with the RailTopoModel® and railML® (© IIRC)

In this section you will find answers to the question why you should use the RailTopoModel® for your specific data modelling and exchange problem. See [RTM For Your Business](#) for more details.

RailTopoModel® For IT Architects and Developers



Simple Sample Network Part 1

This section addresses the software developers of the companies that want to implement a RailTopoModel® based asset database. A simple example shows how to get from the real infrastructure to the RailTopoModel® representation. See [RTM for IT Architects and Developers](#) for more details.

What you should have learned

This page is just a quick introduction

Navigation

- [Home](#) ? ? ?
- [Chapter](#) **RailTopoModel® quick start** [RailTopoModel® Modelling Concepts](#)
- [Section](#) [RailTopoModel® for your business](#)
- [Subection](#)